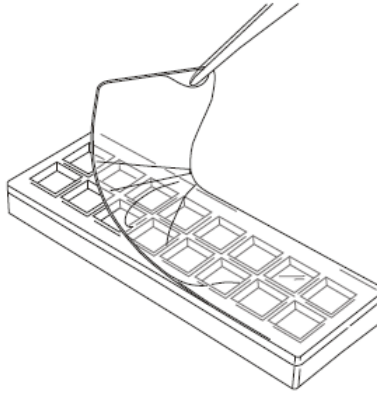
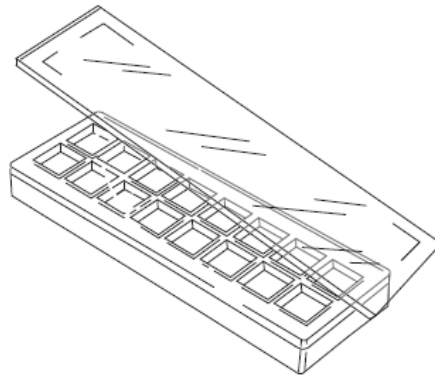


1. Remove release liner to expose the silicone gasket as shown in Figure 1.



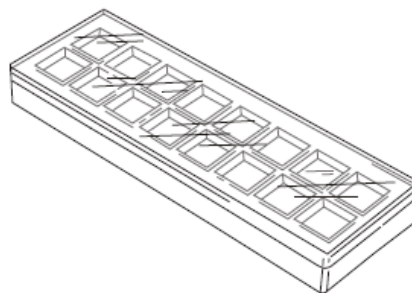
**Figure 1**

2. Place the microscope slide (array side down) over the silicone gasket, aligning the edges of slide with the edges of the upper structure as shown in Figure 2.



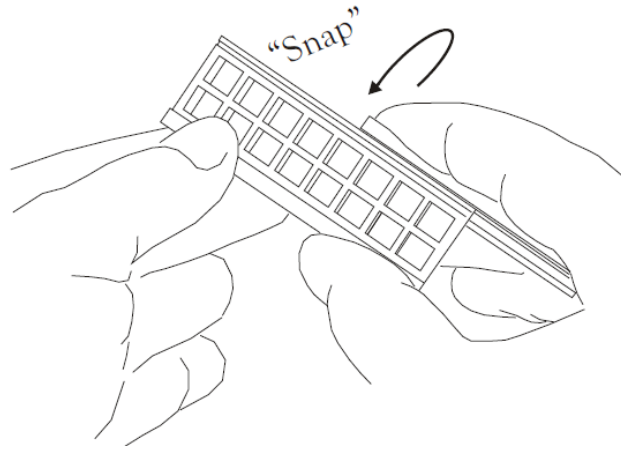
**Figure 2**

3. Press gently on the back side of the slide to adhere the slide to the gasket as shown in Figure 3.



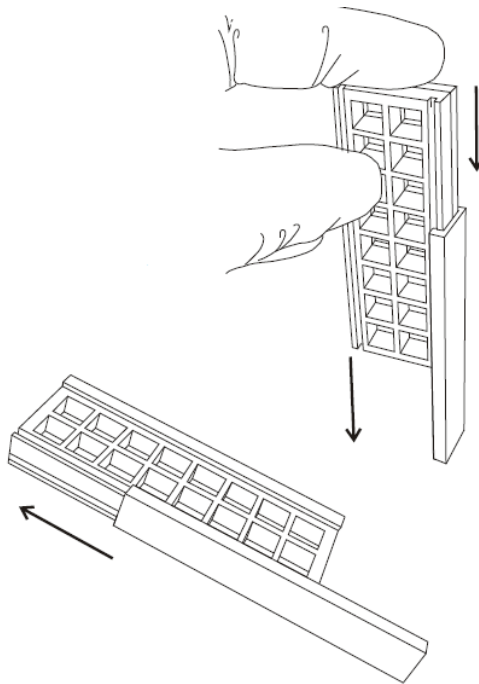
**Figure 3**

4. Place the clip onto slide/upper structure assembly by snapping onto the long edge of the module as shown in Figure 4. Grasp the assembly and place the flat inner edge of the clip over the glass slide. Press the clip into the groove in the upper structure surface while supporting the end with your finger tip.



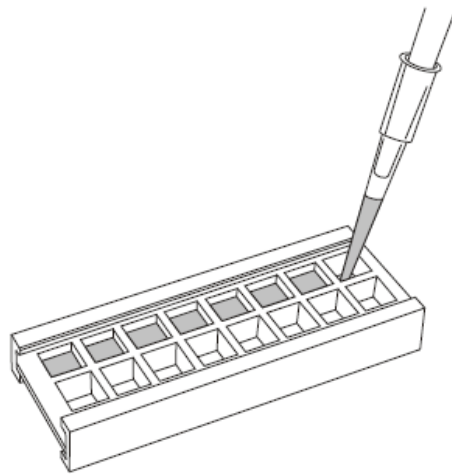
**Figure 4**

5. Slide the clip until the end is flush with the end of the assembly as shown in Figure 5. Clips may be pressed against the bench top to facilitate application. Repeat this for the second clip.



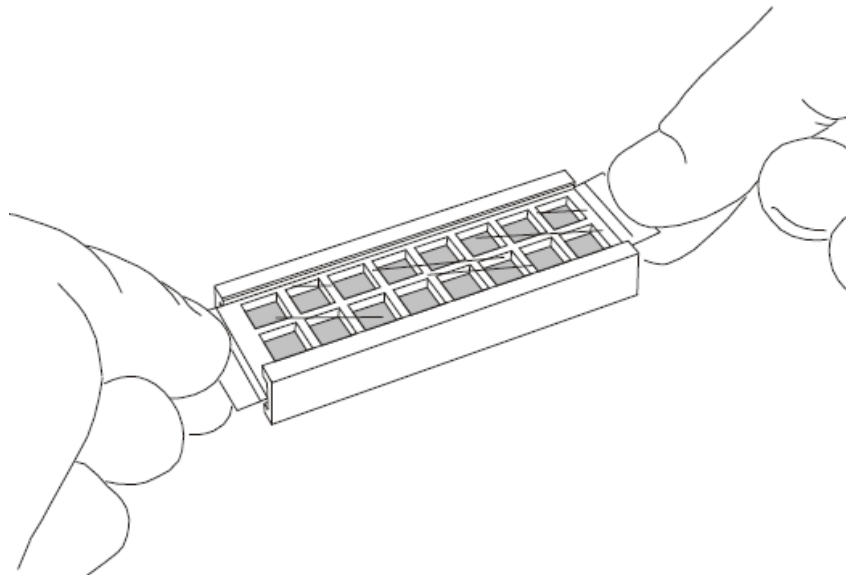
**Figure 5**

6. Add reagents to each well as shown in Figure 6. Well center-to-center spacing is 9mm and this facilitates use with multi-channel pipettes.



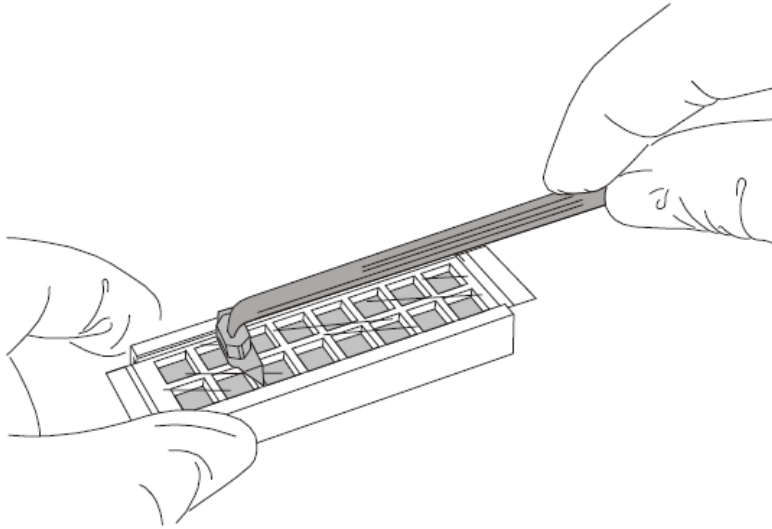
**Figure 6**

7. After filling, the wells may be covered with ProPlate Seal Strips (part 204874) to prevent evaporation. To cover with a ProPlate Seal Strip, remove the strips' white liner and expose the adhesive side to the wells while aligning the edges of the strip with the clips as shown in Figure 7. Ensure that the well surface is dry before seal strip application.



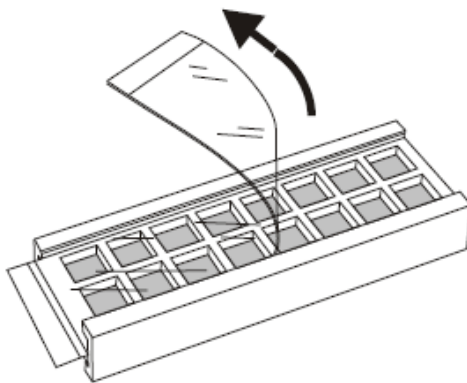
**Figure 7**

8. As shown in Figure 8, use the seal strip applicator tool to smooth the seal strip surface, to remove bubbles, and to ensure a leak free seal.



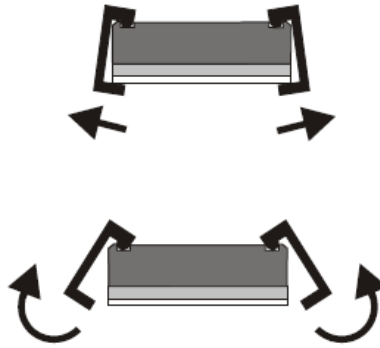
**Figure 8**

9. After incubation, the seal strip may be removed by peeling it off as shown in Figure 9. The module can be re-sealed using a fresh seal strip. Ensure that the well surface is dry before seal strip application.



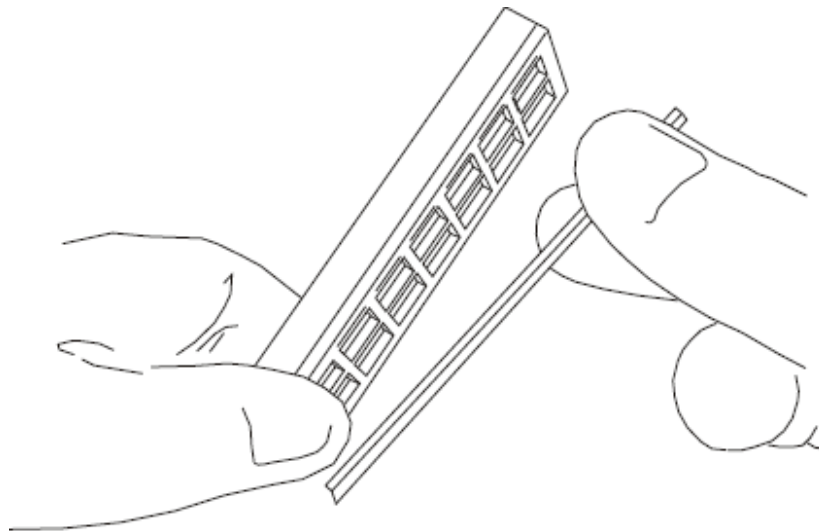
**Figure 9**

10. Remove the clips by pulling them away from the slide side of the module as shown in Figure 10.



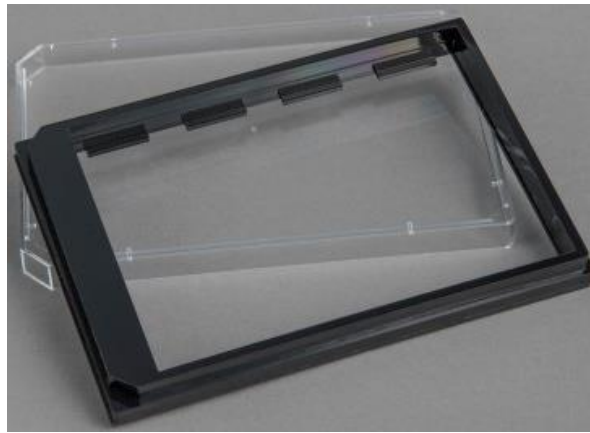
**Figure 10**

11. Remove the arrayed slide for analysis in a chip reader as shown in Figure 11.



**Figure 11**

12. The ProPlate tray included in the ProPlate 4 Well Tray Set (or sold separately as part 204871) holds up to 4 modules in a plate and has a standard microtiter plate footprint and well spacing for use with plate washers and readers (Figure 12).



**Figure 12**

*This product is intended for laboratory use only.*