

CultureWell™ MultiWell Chambered Coverslips

1. Place the MultiWell coverslip package onto a work surface as shown in Figure 1.

Note: Package contents are sterile, handle carefully to prevent contamination.

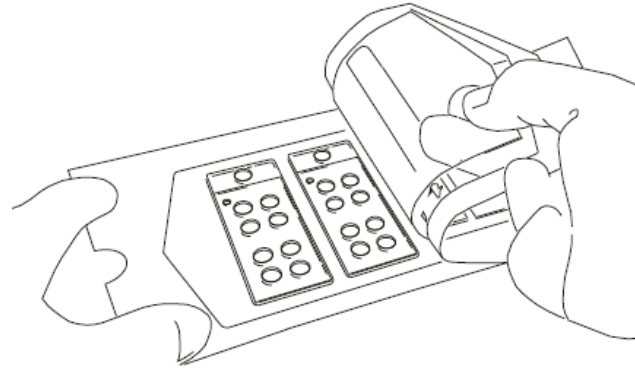


Figure 1

2. Aseptically peel back the sterile pouch and top plastic liner to expose coverslips as shown in Figures 1 and 2.

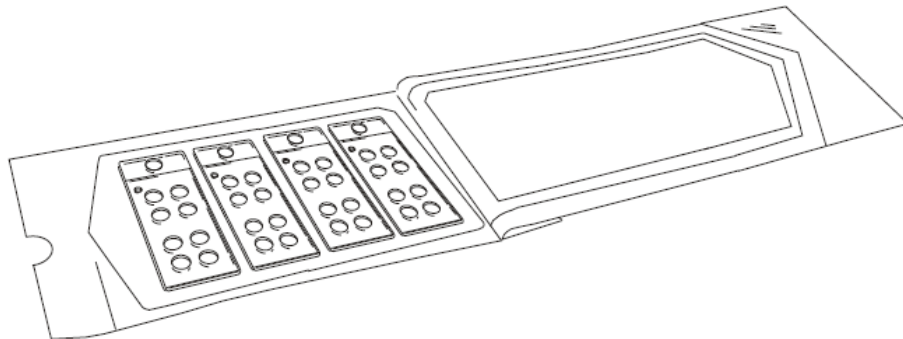


Figure 2

3. Using a sterile forceps, lift the coverslip by grasping the silicone as shown in Figure 3.

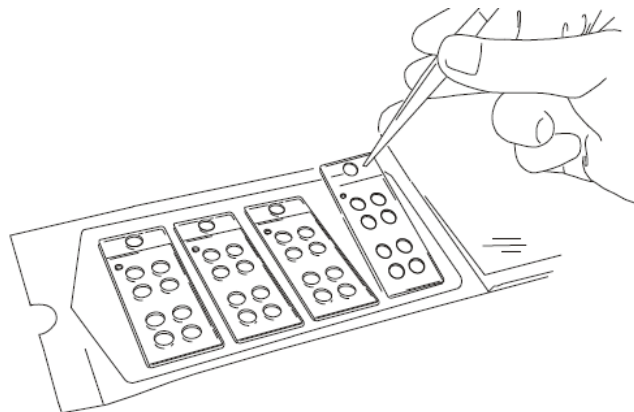


Figure 3

- Remove the lid from a CultureWell plate or sterile 100mm diameter culture dish. Place the coverslip into the plate or dish as shown in Figure 4 with the silicone gasketed wells facing up. Unused coverslips from opened pouches may be stored in sterile culture dishes to prevent contamination.

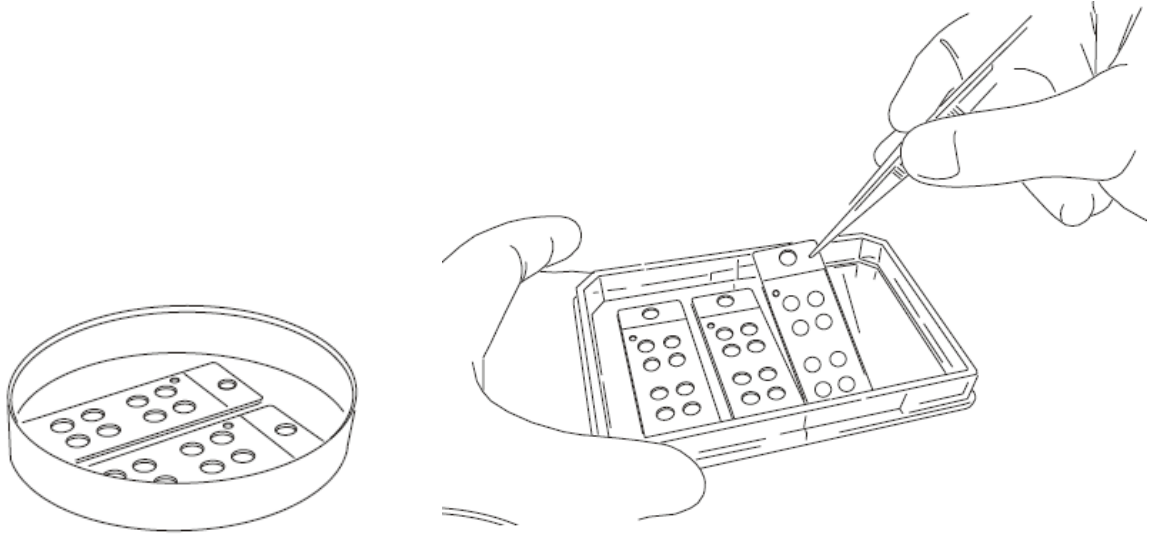


Figure 4

- Pipette cells into individual wells as shown in Figure 5. Allow the cells to attach for 1-24 hours in a humidified CO₂ incubator. Wells are spaced 9mm for use with multi-channel or automated pipettors.

<u>Number of Well Chambers</u>	<u>Volume (µl)</u>
8	30-40
4	90-100
2	300-400

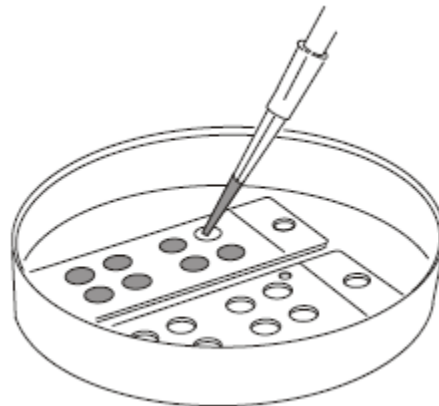


Figure 5

6. After cells attach, flood the tray with 20ml of culture medium as shown in Figure 6. Alternately, plates and coverslips may be flooded with a suspension of cells in medium (20ml-Plates) and incubated to allow cells to attach to coverslips. Cells do not attach to the silicone gaskets.

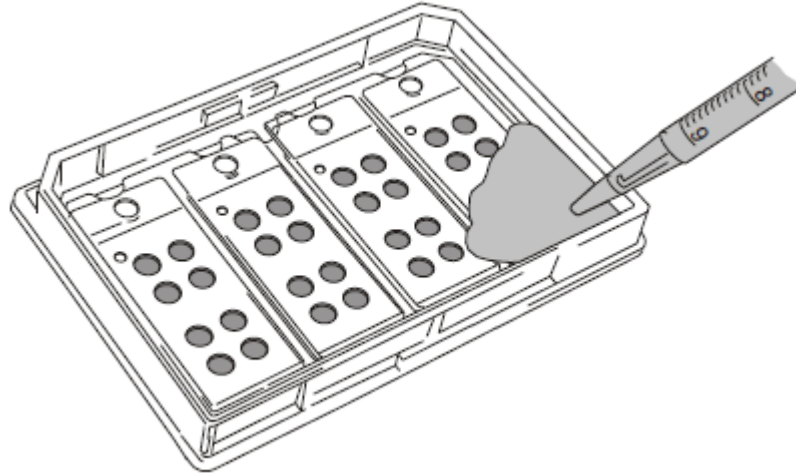


Figure 6

7. After cultivation, cells may be washed, fixed and stained in the plate using standard protocols.
8. Figure 7 depicts how to remove a MultiWell™ Coverslip from a plate. Grasp the silicone with a forceps and pull *slowly* upward.

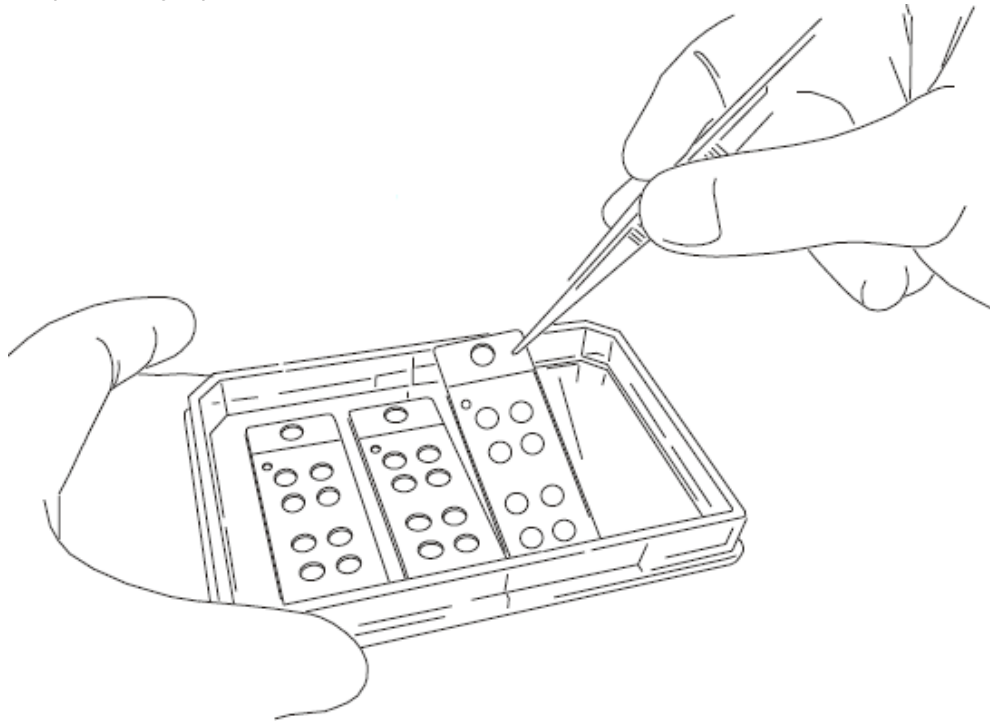


Figure 7

- Coverslips are removed with the silicone gasket still attached to provide stability and protection from breakage. Figure 8 shows how individual gasketed coverslips may be placed in coplin jars or any other holder designed for standard microscope slides.

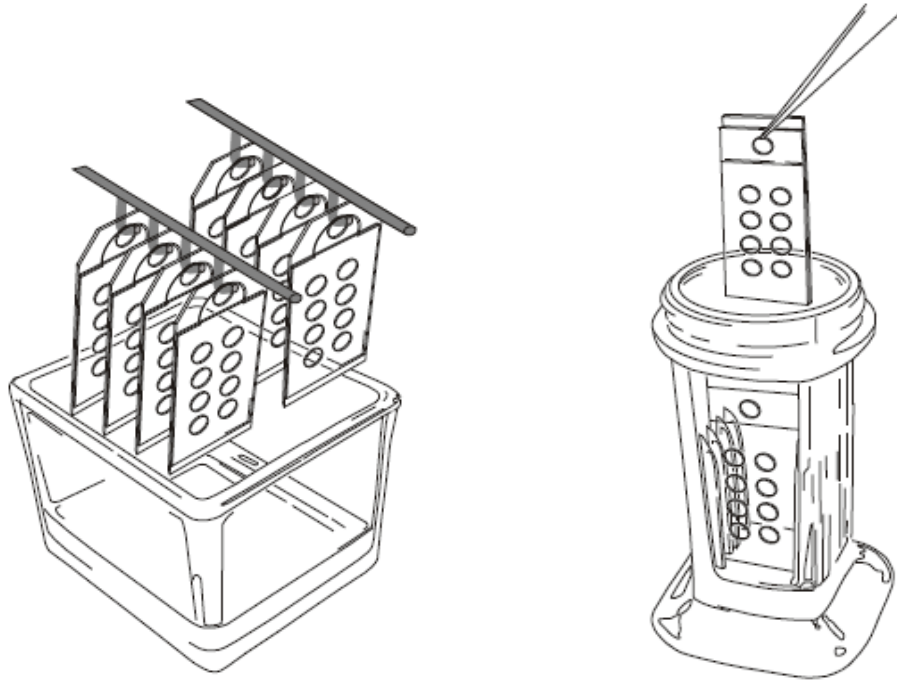


Figure 8

- MultiWell™ coverslips may be placed in culture dishes for antibody/hybridization and washing steps (Figure 9).

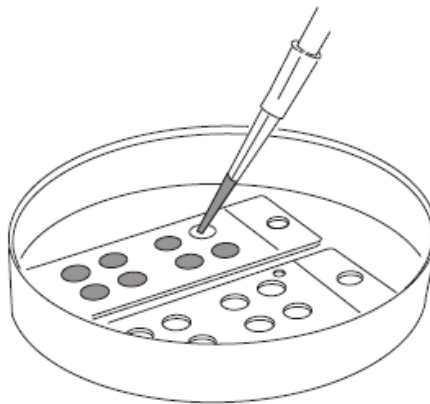


Figure 9

11. To mount coverslips on glass microscope slides, first remove the silicone gasket by peeling it off as shown in Figure 10.

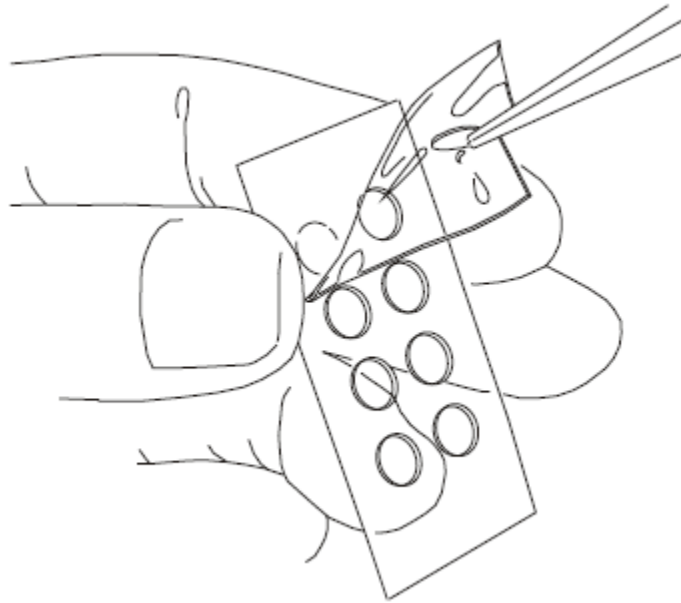


Figure 10

Specimens may also be mounted using aqueous media by filling wells and pressing another coverslip onto the gasket.

12. To Clean and Re-Use MultiWell Gaskets

Rinse off reagents immediately after each use. Wash the gaskets with distilled water and if necessary with a mild detergent that is suitable for cell culture. Do not soak gaskets in detergent. Rinse thoroughly with distilled water and allow gaskets to dry. When re-using cleaned gaskets, just prior to applying them to a new coverslip, use a piece of adhesive tape to clean lint and debris from the gasket surface.

Place a clean, dry 24mm x 50mm glass coverslip onto the silicone gasket and press gently to seal. Place gasketed coverslips individually into glass petri dishes (silicone side up), wrap with aluminum foil and sterilize by autoclaving. Allow coverslips to cool and dry completely before use.

CultureWell™ MultiWell chambered coverslips are for laboratory use only.