

CultureWell™ MultiWell Cell Culture System

1. Aseptically remove a CultureWell™ plate from the package as shown in Figure 1. Remove the plate cover to expose MultiWell chambers. Reclose the package by folding the bag end closed and securing it with a small piece of lab tape.

Note: Package contents are sterile, handle carefully to prevent contamination.

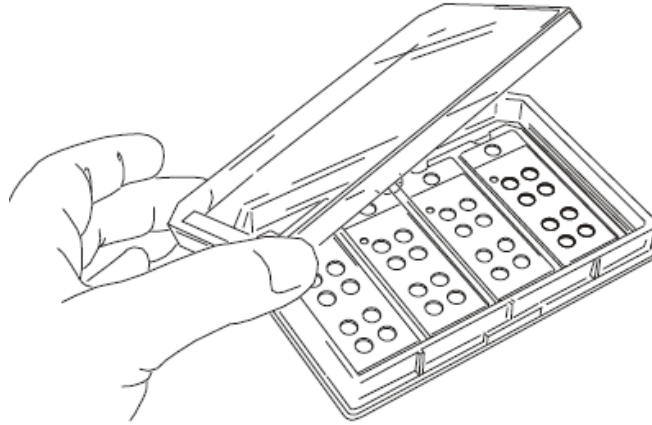


Figure 1

2. To culture cells in MultiWell chambers, pipette cells into individual wells as shown in Figure 2. Allow the cells to attach for 1-24 hours in a humidified CO₂ incubator. Wells are spaced 9mm for use with multi-channel or automated pipettors.

<u>Number of Well Chambers</u>	<u>Volume (µl)</u>
8	30-40
4	90-100
2	300-400

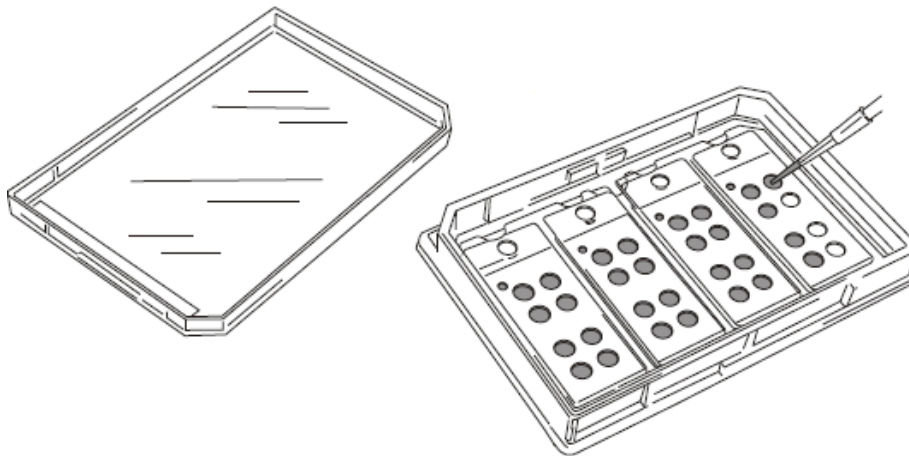


Figure 2

3. After cells attach, flood the tray with 15ml of culture medium as shown in Figure 3. Alternately, plates and inserts may be flooded with a suspension of cells in medium (15ml) and incubated to allow cells to attach to coverslips.

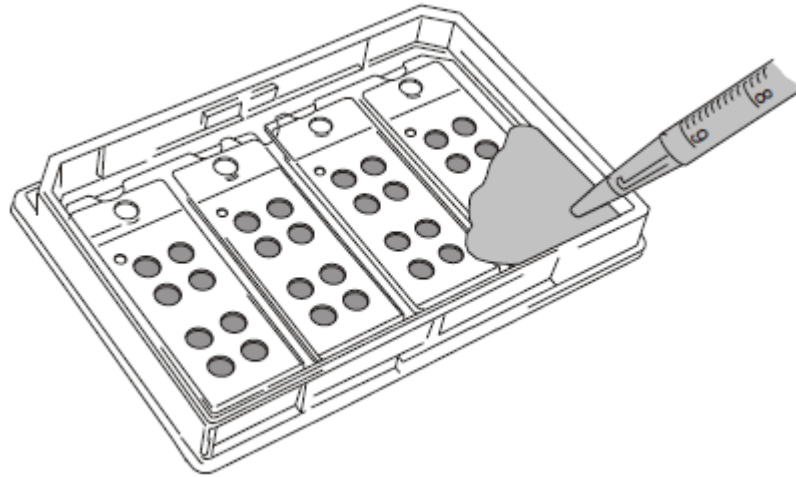


Figure 3

4. Cultures may be sub-divided or isolated by applying “press-to-seal” silicone well dividers (sold separately as part 103201) as shown in Figure 4. After cultivation, cells may be washed, fixed and stained in the plate using standard protocols.

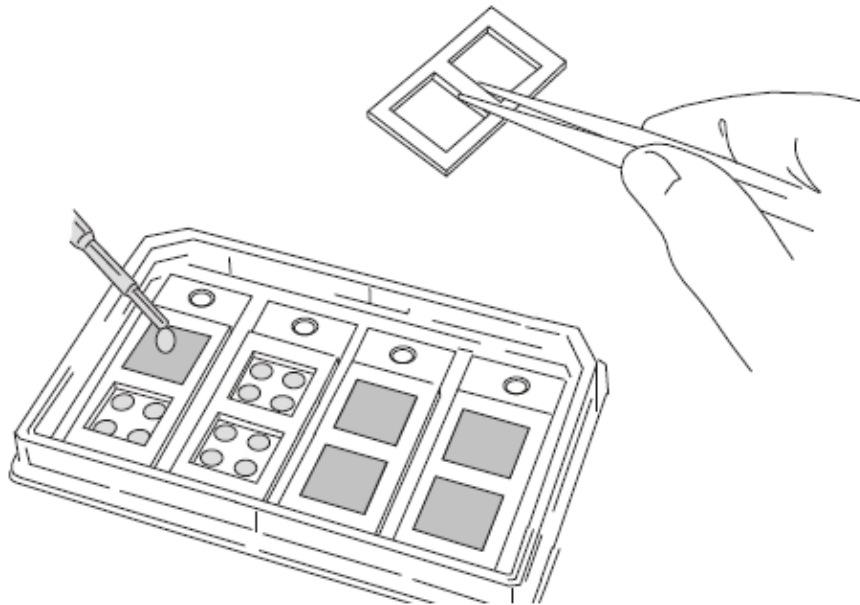


Figure 4

5. Figure 5 depicts how to remove a MultiWell™ insert from a plate. Grasp the insert at the central top notch with a forceps and pull slowly upward and away from you (at an angle close to the plate) to release the silicone backing from the plate surface.

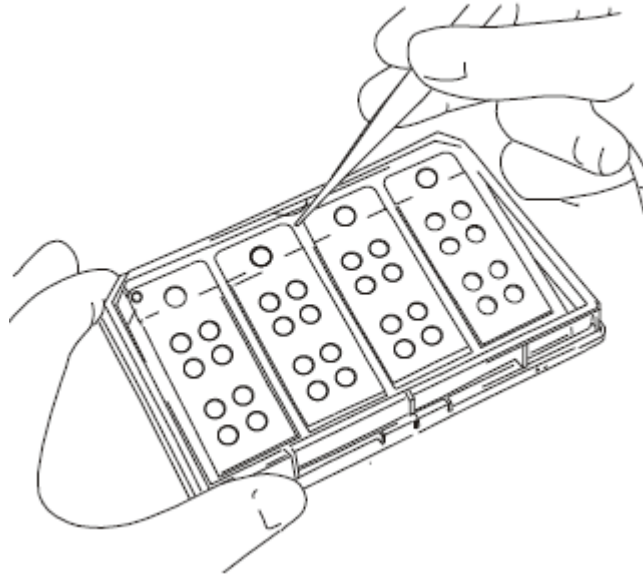


Figure 5

6. Coverslips may be stained and washed using conventional staining dishes by attaching a stainless steel handle to the insert frame as shown in Figure 6.

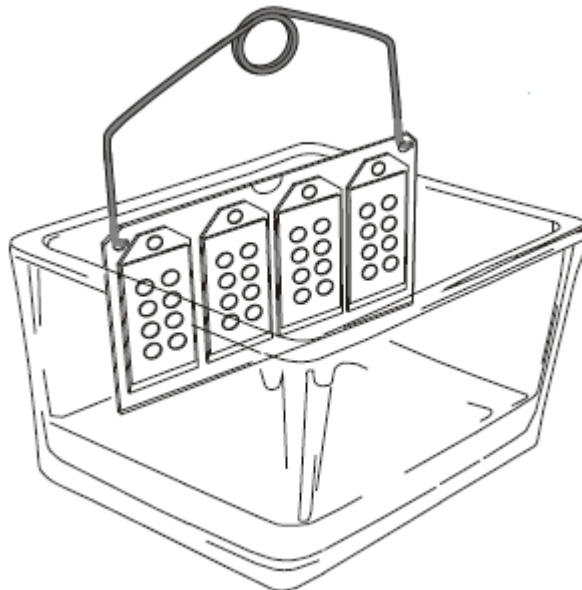


Figure 6

- To remove a gasketed coverslip from a MultiWell insert, one may either remove the insert from the plate as described above for Figure 5 or alternatively, the notched edge of the insert may be rested on the edge of the plate as illustrated in Figure 7. Using a forceps, grasp the silicone backing affixed to the coverslip at the notch in the insert and pull slowly toward you while gently pushing the insert frame downward.

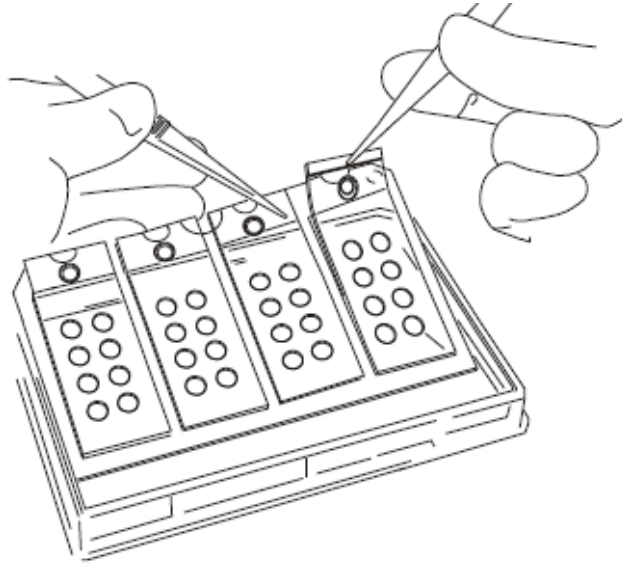


Figure 7

- Coverslips are removed with the silicone gasket still attached to provide stability and protection from breakage. Figure 8 shows how individual gasketed coverslips may be placed in coplin jars or any other holder designed for standard microscope slides.

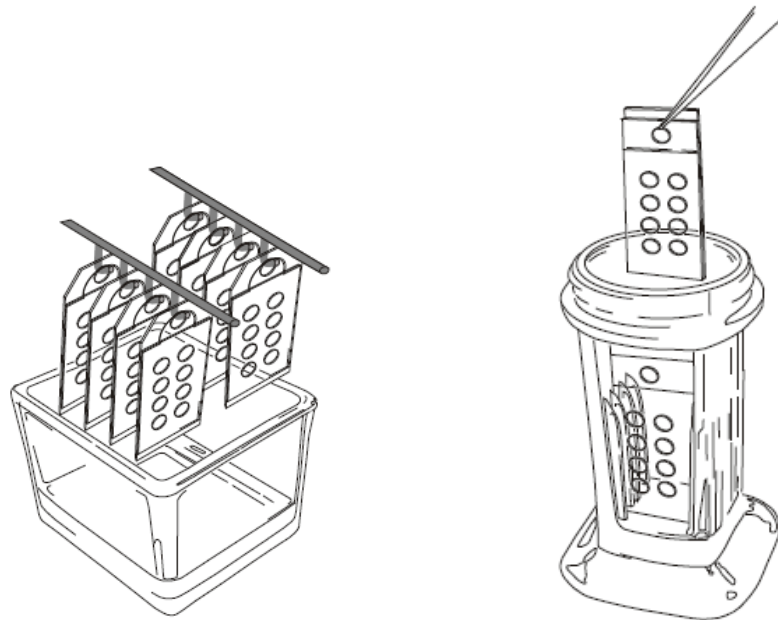


Figure 8

9. To mount coverslips on glass microscope slides, first remove the silicone backing and gasket by holding the sides of the coverslip and gently peeling away the silicone backing as shown in Figure 9, then the silicone gasket as shown in Figure 10.

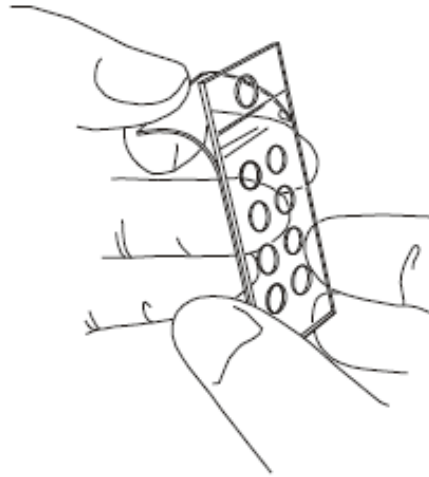


Figure 9

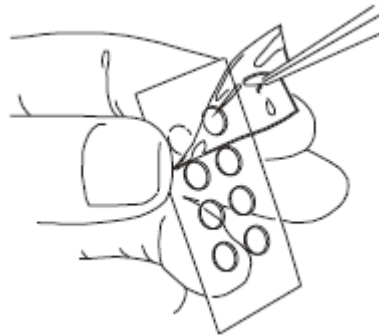


Figure 10

CultureWells™ are for laboratory use only.