

CultureWell™ MultiSlip™ Coverslip Inserts

1. Aseptically remove a MultiSlip plate from the package and remove the plate cover to expose the MultiSlips (Figure 1). Reclose the package by folding the bag end closed and securing it with a small piece of lab tape.

Note: Package contents are sterile, handle carefully to prevent contamination.

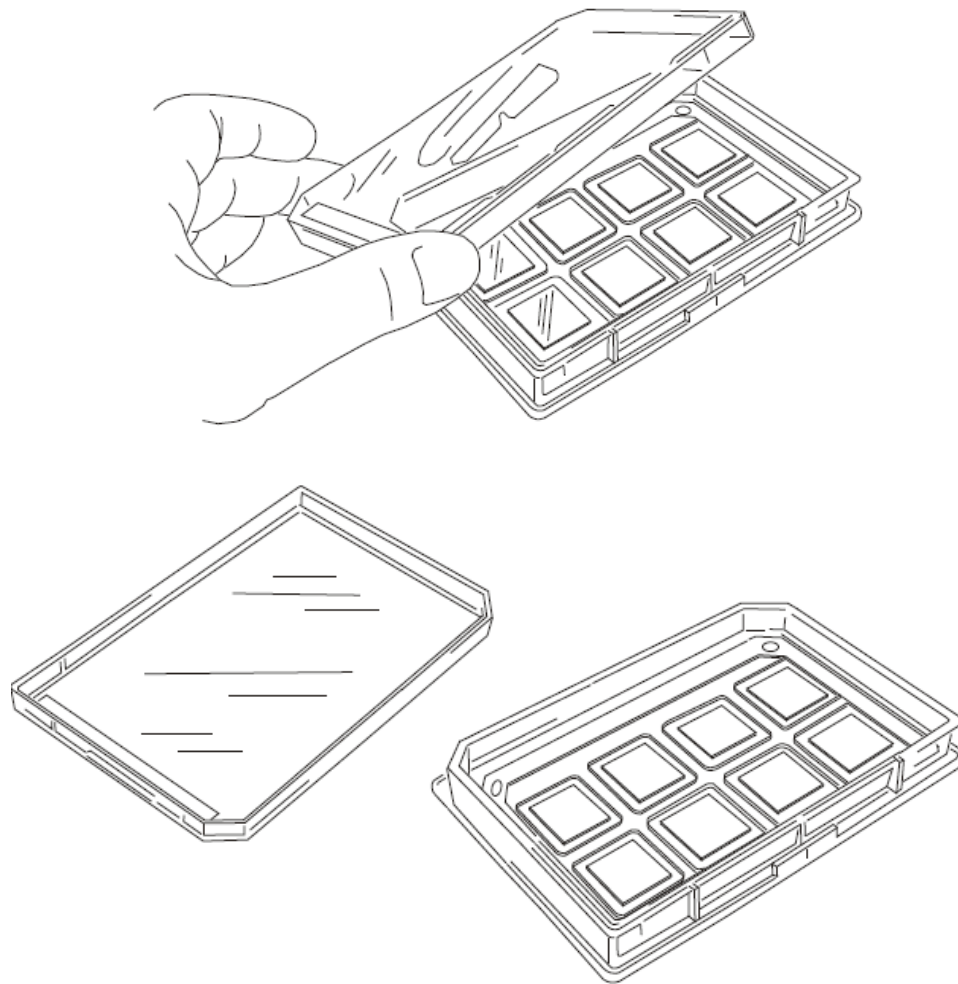


Figure 1

CultureWell™ MultiSlip™ Coverslip Inserts

2. To culture cells on MultiSlip inserts, flood the plates with a cell suspension in 15-20ml of medium as shown in Figure 2. Allow the cells to attach for 1-24 hours in a humidified CO₂ incubator.

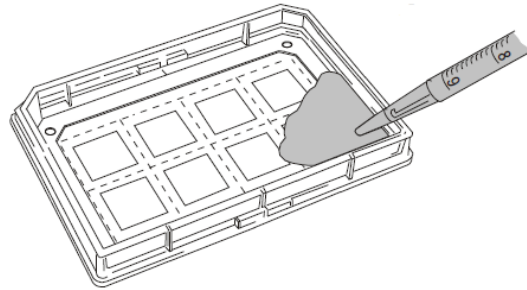


Figure 2

After cultivation, cells may be washed, fixed and stained in the plate using standard protocols. Reagents may be applied directly to coverslips as shown in Figure 3. Aspirate or pipette to remove solutions.

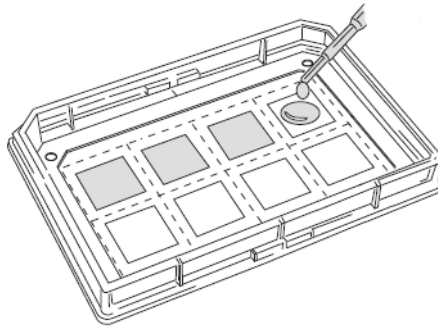


Figure 3

3. Figure 4 depicts removing a MultiSlip insert from a plate. Grasp the black frame and silicone at the side or top of the insert with a forceps and pull slowly upward releasing the silicone backing from the plate surface.

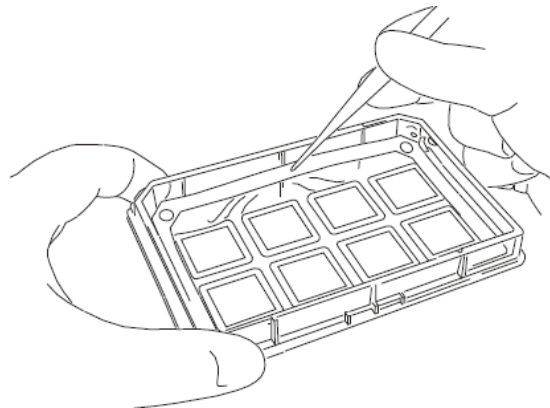


Figure 4

- Coverslips may be stained and washed using conventional staining dishes by attaching a stainless steel handle to the insert frame as shown in Figure 5.

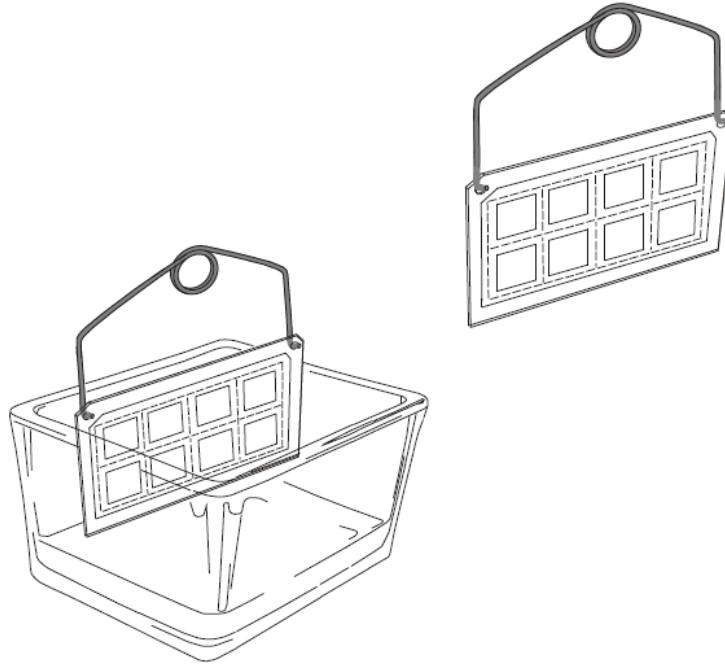


Figure 5

- Figure 6 depicts removal of individual coverslips from the plate during culture. Grasp the silicone margin surrounding the coverslip with a forceps and *slowly* pull upward to release the silicone backing from the insert.

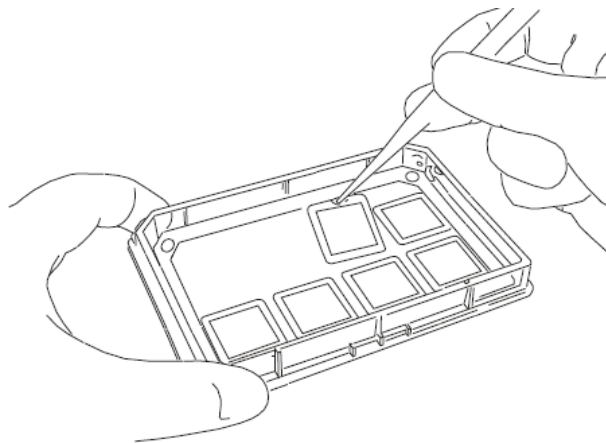


Figure 6

- Coverslips may be affixed to standard glass microscope slides as shown in Figure 7. Press the silicone coverslip backing onto the surface of the glass slide.

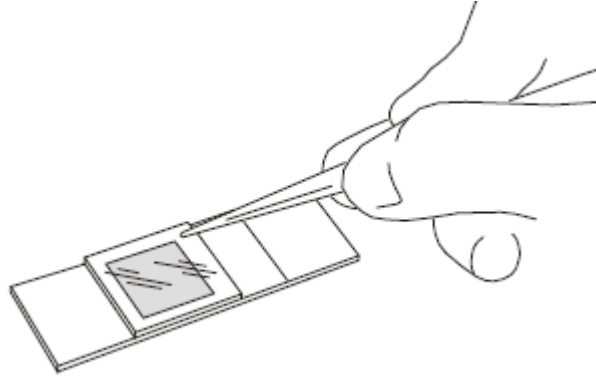


Figure 7

- MultiSlip slides may be processed using conventional staining dishes and coplin jars depicted in Figure 8.

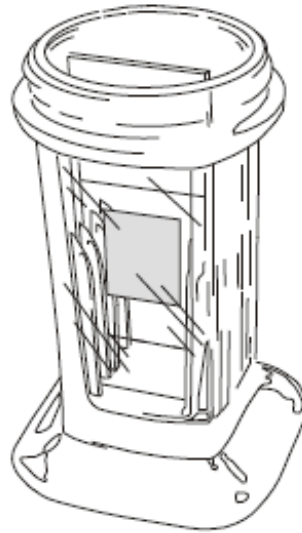


Figure 8

- As shown in Figure 9, silicone backed coverslips may also be transferred into sterile culture dishes for secondary culture treatments or staining. Press gently on the silicone margin to affix them to the dish.

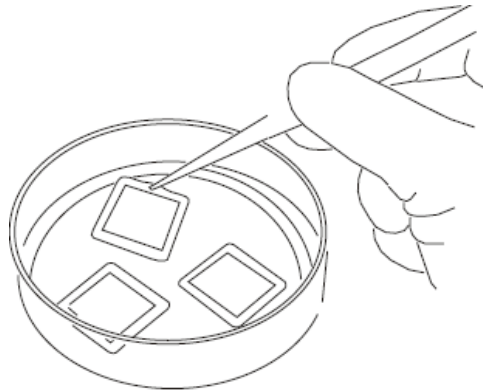


Figure 9

9. Figure 10 shows how the silicone backing can be easily peeled away from the coverslip to facilitate routine slide mounting.



Figure 10

MultiSlips™ are intended for laboratory use only.